

FORD:

2005-2009 Mustang

This article supersedes TSB **07-14-6** to update the model years, part list and service procedure.

ISSUE

Some 2005-2009 Mustang vehicles may exhibit a difficult to diagnose water leak in the front floor area. This may be caused by loose grommets and/or sealer skips around the cowl area, loose A-pillar window weatherstrip retainer, misaligned body harness grommet through the firewall, misaligned body harness grommet from the passenger door.

ACTION

Follow the Service Procedure steps to correct the condition.

SERVICE PROCEDURE**NOTE**

DO NOT REMOVE THE DASH OR THE DASH INSULATOR AT ANY TIME DURING THIS PROCEDURE.

Water Leak Testing Procedure

1. To pressurize the cabin open trunk and remove the floor carpet. Remove the plastic tail panel cover. Remove side carpet push pins and move the carpet aside. Locate the body vents in the lower rear corners of the trunk (rear of wheel wells) and tape them off. Close the trunk. Place the blower motor on high. Turn air recirculation to off mode. Close windows and doors. Open the hood and spray soapy water along body seams / grommets, particularly around the A-pillar / fender and hood hinge area, and check for bubbles.

NOTE

DO NOT REMOVE COWL GROMMETS DURING WATER TESTING. (FIGURE 7 AT END OF ARTICLE)

2. Using a garden hose equipped with a shower head attachment, or similar device, run water onto the vehicle being sure to direct water over the roof ditch moldings, side window weather strips, and windshield / cowl panel area. While water is being applied to the vehicle, have an assistant inside the vehicle verifying the location of the water intrusion.

Water Leak Inspection / Repair Procedure

Inspect the following areas for visible signs of leaks and follow the appropriate repair steps.

1. Verify that the plastic cowl panel grill is evenly seated against the windshield and not warped. If warped, replace with current service stock.
2. Remove the cowl panel grill. Refer to Workshop Manual (WSM), Section 501-02, and inspect for proper cowl panel mount grommet installation and pinch weld sealing. Water may enter the cowl channel, through the cowl panel grommets / seals or forward pinch weld, potentially causing a sloshing sound and/or water leaking down the dash kick panel area. If there is standing water in the cowl channel, remove by siphoning through a cowl panel mount grommet hole. (Figures 7-8 - end of article)
3. Verify that the ten (10) cowl panel mount grommets and seals are installed and sealing tightly to the vehicle. If any are missing, or the seals are damaged, replace as necessary. (Figure 1)

NOTE: The information in Technical Service Bulletins is intended for use by trained, professional technicians with the knowledge, tools, and equipment to do the job properly and safely. It informs these technicians of conditions that may occur on some vehicles, or provides information that could assist in proper vehicle service. The procedures should not be performed by "do-it-yourselfers". Do not assume that a condition described affects your car or truck. Contact a Ford, Lincoln, or Mercury dealership to determine whether the Bulletin applies to your vehicle. Warranty Policy and Extended Service Plan documentation determine Warranty and/or Extended Service Plan coverage unless stated otherwise in the TSB article. The information in this Technical Service Bulletin (TSB) was current at the time of printing. Ford Motor Company reserves the right to supersede this information with updates. The most recent information is available through Ford Motor Company's on-line technical resources.

TSB 08-26-7 (Continued)

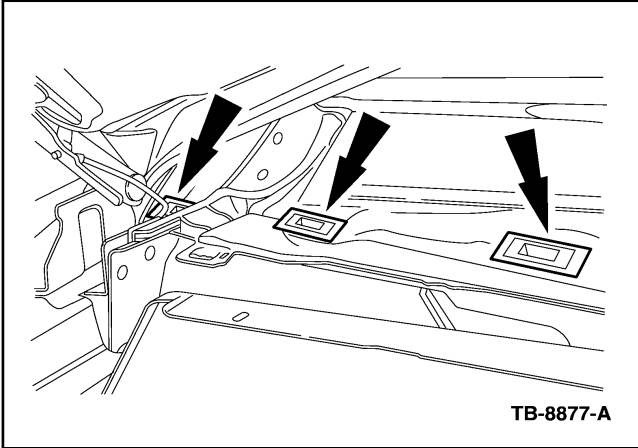


Figure 1 - Article 08-26-7

- a. Remove old cowl grommets and clean entire cowl surface with a suitable wax and grease remover. If silicone and/or seam sealer was used to seal grommets, ensure all sealer is removed before installing new grommets.
- b. With surface clean and prepped, snap the hot melt cowl grommet into cowl panel.
- c. Using a suitable heat gun, heat the hot melt cowl grommet until the hot melt material begins to squeeze out from under the plastic grommet. Do not over heat the grommet because deformation of the plastic grommet may occur.
- d. After heating the grommets, a light amount of pressure may be applied to the outer perimeter of the grommet to help sealing.
- e. Do not over heat around windshield or fender edges or damage may result.

NOTE

HEAT SEALED GROMMETS WERE USED IN PRODUCTION STARTING WITH VEHICLES BUILT ON 9/4/2008.

4. Inspect the cowl panel to bulk head pinch weld and A-Post to cowl joint for any skips in seam sealer or excessive gaps between panels.
 - a. To ensure a water tight seal, apply a small amount of Motorcraft Seam Sealer to the pinch weld and work into seam with fingertip, leaving a small amount on the edge, especially near the windshield center bracket area. (Figure 2)

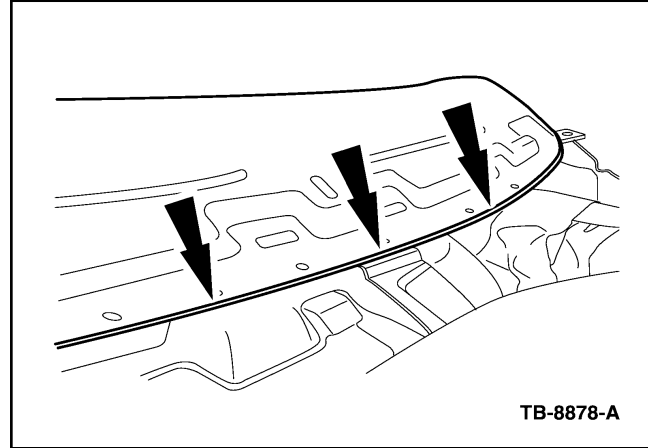


Figure 2 - Article 08-26-7

NOTE

DO NOT USE SILICONE.

5. Check the main body wiring harness grommet for proper seating into the bulkhead on the driver / passenger side.
 - a. Position the grommet into the bulkhead making sure the grommet is fully seated and sealed. If there is any aftermarket wiring installed through the grommet, reroute and seal as necessary. To ensure proper sealing around the wiring harness grommet, apply a small amount of Motorcraft Seam Sealer and install the grommet. (Figure 3)

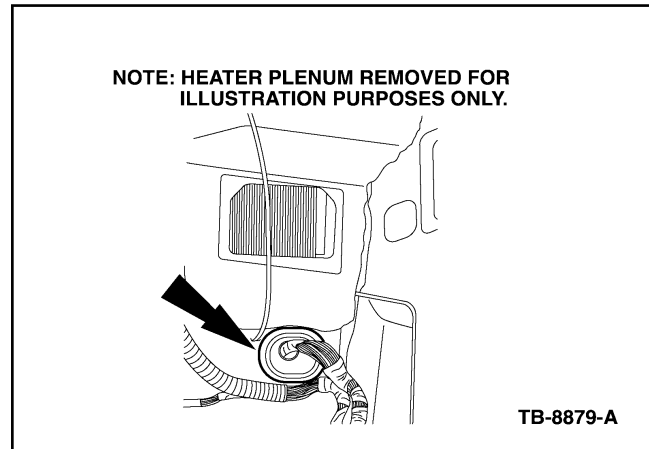


Figure 3 - Article 08-26-7

6. Verify that the door to the A-pillar wiring harness grommet is fully seated into the A-pillar.
 - a. To ensure proper sealing around the wiring harness grommet, apply a small amount of Motorcraft Seam Sealer and install the grommet into the A-pillar. (Figure 4)

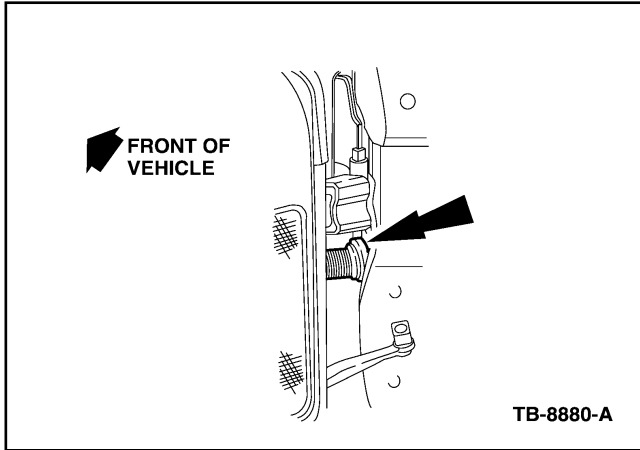


Figure 4 - Article 08-26-7

7. Remove and inspect the foam seal of window weatherstrip retainer at the A-pillar. Tears in the foam seal may allow water to enter the vehicle, between window weatherstrip retainer and the A-Pillar, and travel inside the interior A-Pillar trim molding into the dash kick panel area. (Figure 5)

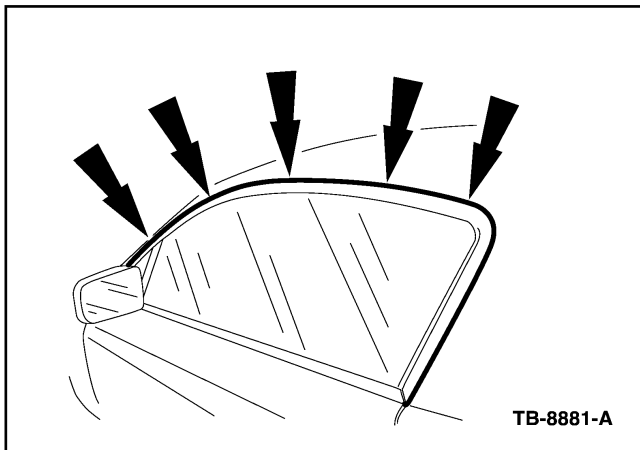


Figure 5 - Article 08-26-7

- a. Replace window weatherstrip retainer, if foam seal is damaged. (Figure 6)



Figure 6 - Article 08-26-7

- b. Assemble other trim as required.
8. If no leaks are found in these areas, refer to WSM, Section 501-00 for water leak diagnostics.

PART NUMBER	PART NAME
9R3Z-63517C58-A	Retainer-Cowl Panel
9R3Z-6351238-A	Retainer-Weather Right Side
9R3Z-6351239-A	Retainer-weather Left Side
TA-2	Motorcraft Seam Seal

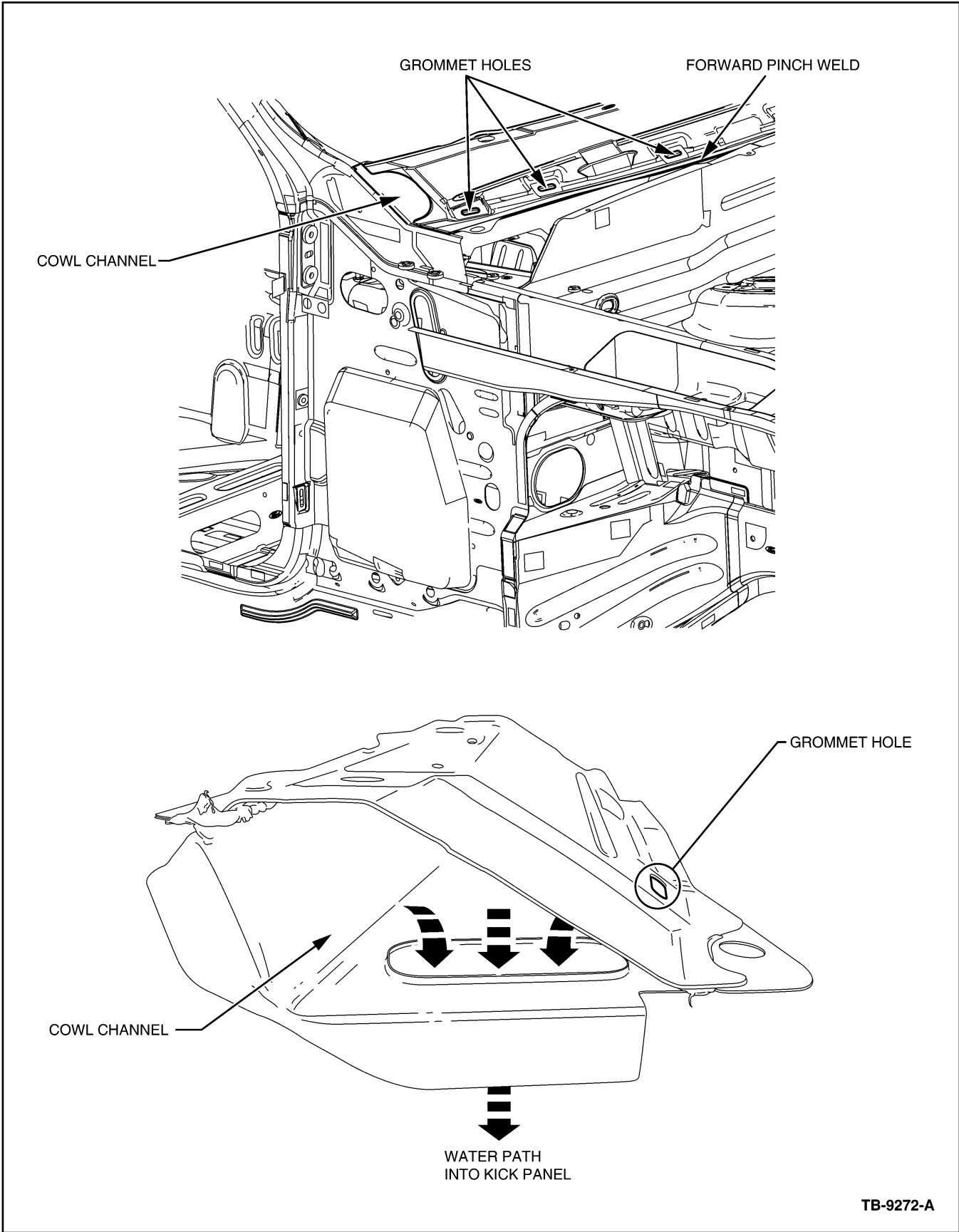
WARRANTY STATUS: Eligible Under Provisions Of New Vehicle Limited Warranty Coverage
IMPORTANT: Warranty coverage limits/policies are not altered by a TSB. Warranty coverage limits are determined by the identified causal part.

OPERATION	DESCRIPTION	TIME
MT082607	Use SLTS Operations If Available; Claim Additional Diagnosis Or Labor Performed As Actual Time	Actual Time

DEALER CODING

BASIC PART NO.
63517C58

CONDITION
CODE
07



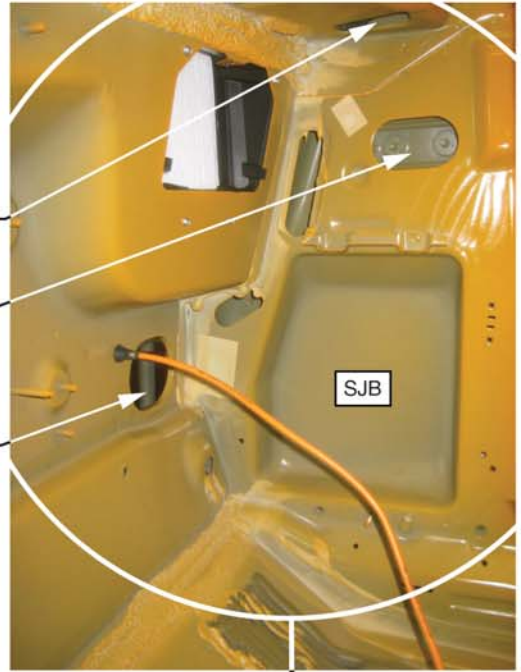
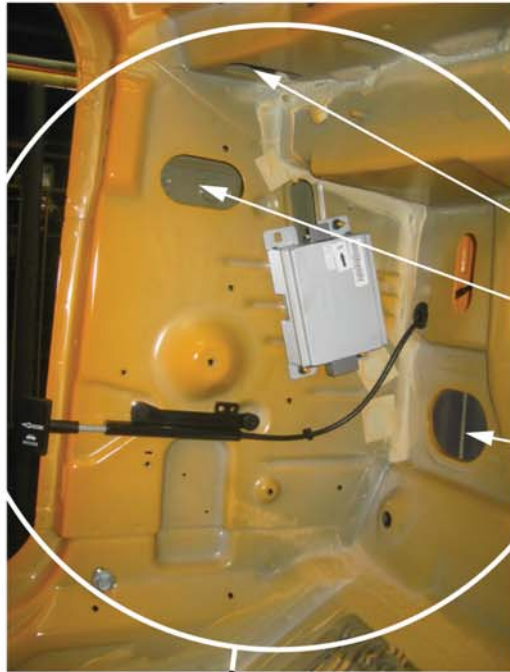
TB-9272-A

Figure 7 - Article 08-26-7

WATER PATHS INTO FRONT FLOOR KICK PANEL AREAS
(DASH AND DASH INSULATOR REMOVED FOR ILLUSTRATION PURPOSES)

DRIVER SIDE KICK PANEL

PASSENGER SIDE KICK PANEL



GROMMET PATH

DOOR PATH

WIRING HARNESS



TB-9273-A

Figure 8 - Article 08-26-7